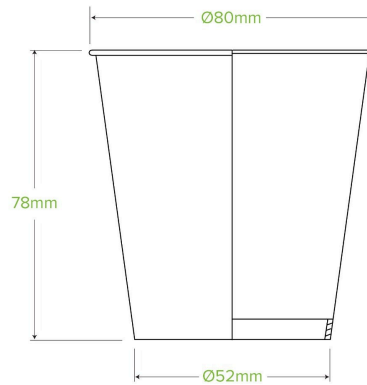


200ml / 6oz Green Cold Paper BioCup BCC-6-G



FSC™ certified green cold paper BioCups are lined inside and out with Ingeo™, a bioplastic made from plants, not oil – making them the perfect option for cold drinks. Certified industrially compostable (AS4736). Match with home compostable sugarcane lids (AS5810) or PLA-lined paper lids.

Carton quantity: 1000	Sleeves per carton: 20	Units per sleeve: 50
Carton Size LxWxH (cm): 40.5x32.5x41	Raw Material: Paper - FSC™ Mix certified paper	Lining/coating: Bioplastic - Ingeo®, PLA
Window Material: None	Printing Type: Flexo	Inks: Food Contact Safe Inks
Brim fill capacity (ml): 230	Dimensions top LxW (mm): 80x80	Dimensions base LxW (mm): 52x52
Product Depth: 78	Product weight (g): 11	Thickness: 263gsm
Use: Hot, Cold, Wet & Dry Products	Manufactured: China	Customise: Print
MOQ custom: 50000	Mould fees: Yes - see custom packaging	Environmental production certified: ISO 14001
Quality product certified: ISO 9001	Factory food safety certified: BRC	Corporate social accreditation: SMETA
Home compostable: No	Industrially compostable: Certified to AS4736 Australian Standards, Certified to EN13432 European Standard	Recyclable: No